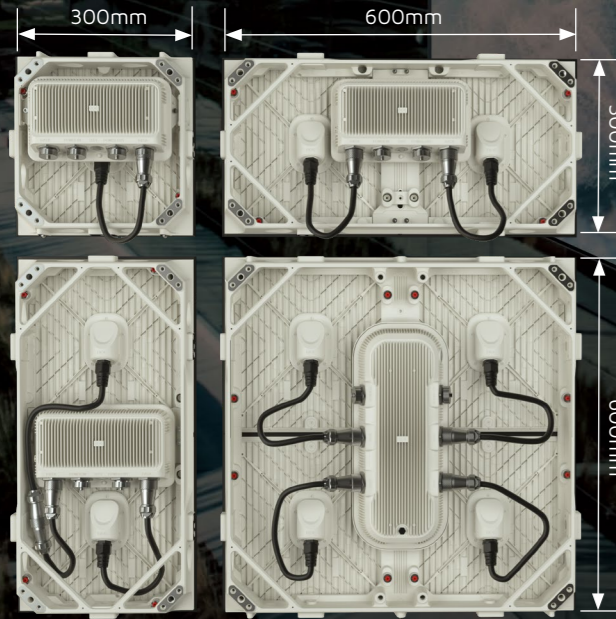


Flexible Solution with Fine Pixel Pitch,  
Premier Choice for the Outdoor Installations

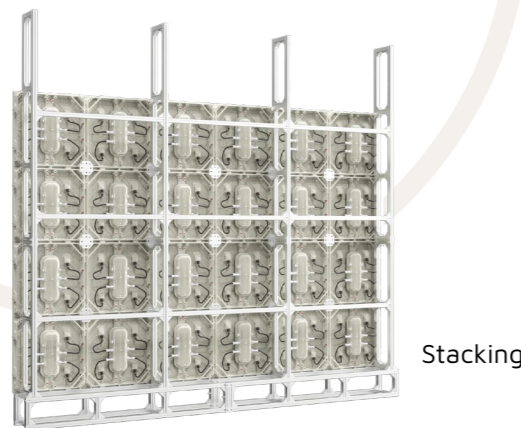
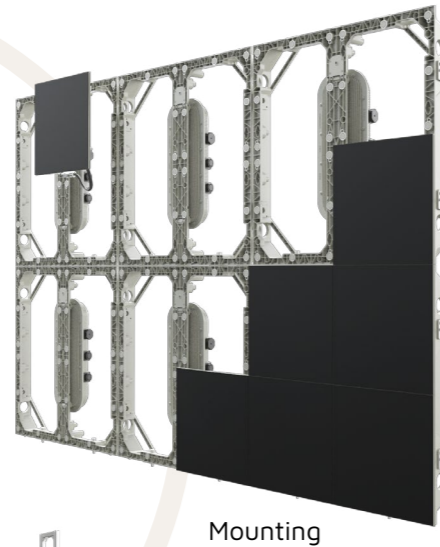


## Universal Frames Enable Creative Design

Take your creativity where it leads you. The Opal LED modules and panel frames are developed to offer easy installation. The universal Opal modules and panel frames are designed to accommodate either a flat or curved, zero-bezel LED canvas. With solutions for wall-mounting, stacking, or even hanging, the Opal LED modules can be placed in any environment to create eye-catching and immersive effects.

## Flawless Display

Due to high-precision engineering and manufacturing, the mounting frame has high tolerance. XYZ axes alignment is easy and can be done without removing the LED module. This will result in perfectly aligned, seamless, and flat LED walls.

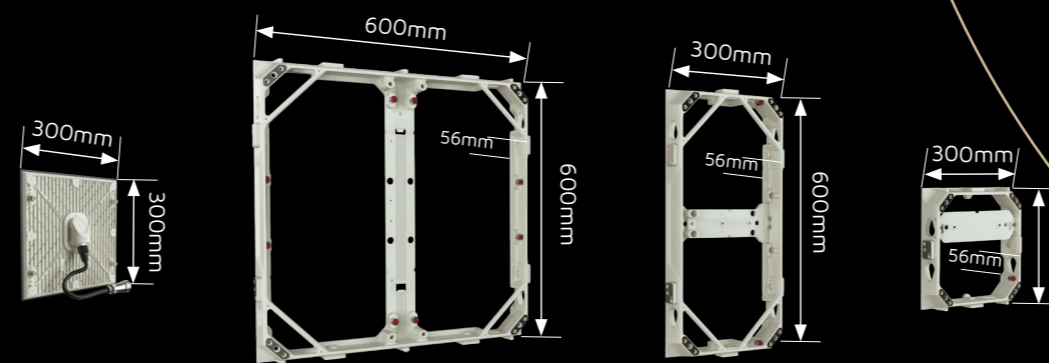


## Specifications

Opal	Opal 3.75			
Pixel Pitch	3.75mm			
Max Brightness Calibrated	5000nits			
Panel Dimensions	600mm x 600mm x 90mm 23.6" x 23.6" x 3.5"	600mm x 300mm x 90mm 23.6" x 11.8" x 3.5"	300mm x 600mm x 90mm 11.8" x 23.6" x 3.5"	300mm x 300mm x 118mm 11.8" x 11.8" x 4.6"
Panel Resolution (H x V)	160 x 160	160 x 80	80 x 160	80 x 80
Panel Weight	9.28kg / 20.5lbs	4.91kg / 10.8lbs		3.29kg / 7.25lbs
Frame Dimensions	600mm x 600mm x 56mm 23.6" x 23.6" x 2.2"	600mm x 300mm x 56mm 23.6" x 11.8" x 2.2"	300mm x 600mm x 56mm 11.8" x 23.6" x 2.2"	300mm x 300mm x 56mm 11.8" x 11.8" x 2.2"
Frame Weight	3.72kg / 8.2lbs	2.54kg / 5.6lbs		1.46kg / 3.2lbs
Module Size	300mm x 300mm; 11.8" x 11.8"			
Power Consumption Max / Average	300W / 150W	160W / 75W	95W / 45W	
BTU Max / Average	1024 / 471	546 / 251	290 / 133	
Transparency	Solid			
Serviceability	Front / Rear			
Curving (Concave & Convex)	Concave 5°-Convex 15°			
LED Configuration	Black SMD 1415 common cathode			
Viewing Angle Horizontal	160°			
Viewing Angle Vertical	140°			
Refresh Rate	3840Hz			
Gray Scale	14bit			
Frame Material	Die-casting Aluminum			
Installation	Hanging / Stacking / Mounting			
Processing Platform	MVR / Brompton			
Operational Temp / Humidity	-20°-45°C, 10-90%RH   -4°-113°F, 10-90%RH			
Storage Temp / Humidity	-40°-60°C, 10-90% RH   -40°-140°F, 10-90% RH			
IP Rating (Front / Rear)	IP65			
Certifications	CE, FCC, ETL, PSE, RoHS, UL			

Notes: The specifications are for reference, actual values may vary.

## Dimensions



www.roevisual.com

ROE Visual Co., Ltd. | ROE Visual US, Inc. | ROE Visual Europe BV  
 roe@roevisual.com | roe@roevisual.com | roe@roevisual.com



## Opal Outdoor

Versatile LED Platform

OUTDOOR FIXED INSTALL



# Opal LED Platform

What inspires you?  
LED panels that feed the desire to create,  
facilitating imaginative and extraordinary designs.

## Don't Compromise On Your Visuals

The Opal LED panel platform stands out with a staggering visual performance. Using black LEDs, the Opal LED canvas offers a high contrast ratio and a wide color gamut, delivering a high-definition viewing experience with unmatched color accuracy.

## Opal: The Versatile LED Platform

Opal is a versatile LED platform conceptualized to aid designers in creating out-of-the-box designs. Its adaptable design, based on 300x300mm square LED modules, translates into various frame dimensions which can be combined like Lego blocks, creating room for artistic, immersive displays that are out of the ordinary. Opal uses just one platform that accommodates both in- and outdoor applications.

## Create Without Restrictions

Enabling out of the ordinary designs without customizing your LED panel time and again; that's what inspired ROE Visual to create Opal.

Energy saving  
common cathode technology



Universal module



IP65 waterproof



Easy maintenance



Universal design  
frames in  
horizontal and  
vertical orientations



Hanging, stacking  
and mounting



Curving capability

